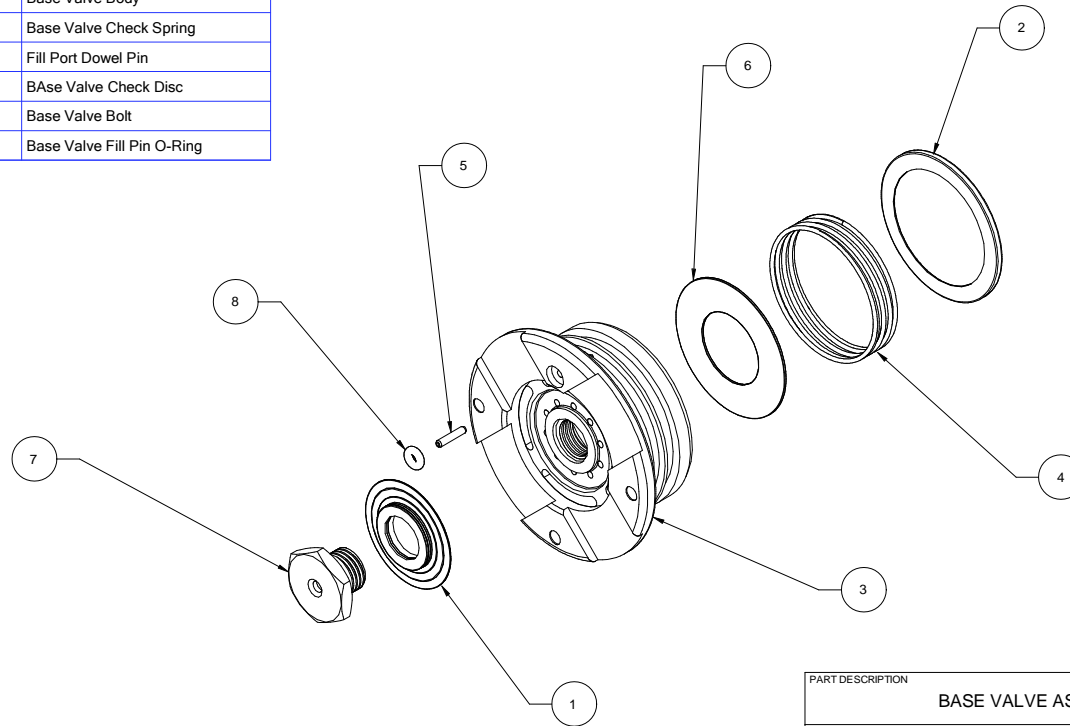




REVISIONS				
ZONE	REV	DESCRIPTION	DATE	APPROVED
A	RELEASED		18-MAY-2009	

Item Number	Quantity	Part Number	Part Name
1	1		Disc Stack
2	1	310 30347	Base Valve Check Spring Ret Ring
3	1	310 60033	Base Valve Body
4	1	310 30351	Base Valve Check Spring
5	1	310 60087	Fill Port Dowel Pin
6	1	310 30370	BAse Valve Check Disc
7	1	310 30345	Base Valve Bolt
8	1	310 60086	Base Valve Fill Pin O-Ring



PART DESCRIPTION			
BASE VALVE ASSEMBLY			
MATERIAL			
DRAWN BY		APPROVAL	
MLZ		APPROVER	
SIZE	FSCM NO.	DWG NO.	REV
B		310 60033-50	A
SCALE		SHEET	
1" = 1"			

THIS DRAWING, INFORMATION, AND TECHNICAL DATA CONTAINED WITHIN ARE THE EXCLUSIVE PROPERTY OF INTEGRA RACING SHOCKS AND SHALL BE RETURNED UPON REQUEST. THIS DRAWING IS NOT TO BE REPRODUCED IN WHOLE OR IN PART, NOR SHALL ANY INFORMATION OR TECHNICAL DATA BE SUPPLIED IN ANY FORM TO ANYONE ELSE WITHOUT THE EXPRESS WRITTEN CONSENT OF INTEGRA RACING SHOCKS

BREAK EDGES .010 \pm .0005" X 45°; FILLET RADIUS 0.010" \pm .0005"
 TOLERANCES (UNLESS OTHERWISE SPECIFIED):
 FRACTIONS: .XX \pm .01", .XXX \pm .003", ANG \pm .05"
 ALL SURFACE FINISHES TO BE Ra 64 OR BETTER UNLESS OTHERWISE SPECIFIED.

310 60033-50_BASE VALVE ASSEMBLY